



58" ADA In-Line Bathing Tub



Available Models:
GB58INADA

The Grooming Industries Very First ADA compliant In-Line Bathing Tub is now available for anyone managing a commercial or residential building that accommodates all users.

Groomers Best In-Line Bathing Tub is very similar to our best-selling Walk-Through Bathing Tub, but in a different configuration. Constructed with a fully welded tub body and double sealed to guarantee no leaking or rusting. Our removable clip-on ramp allows ease of access for the animals and conveniently unclips to store elsewhere. Don't have the wall space for a standard tub? Try an In-line bathing tub! Line the tubs up in a row for crowded spaces. Door included. Raised Floor Grates, Plumbing Kit, and accessories available!

Features:

- Fully welded and double sealed to guarantee no leaking or rusting.
- Easy Set up and assembly, just put the legs & ramp on!
- Includes a non-slip ramp with Lift & Slide design.
- Constructed of 18 gauge, 304 stainless steel.
- Dogs of all sizes can easily walk up the clip-on ramp themselves.
- 20"H legs with leg levelers.
- Water ports are on the center front of backsplash, 3" down
- Sliding ramp is optional from the side.
- Optional accessories available.
- Handcrafted in the USA.

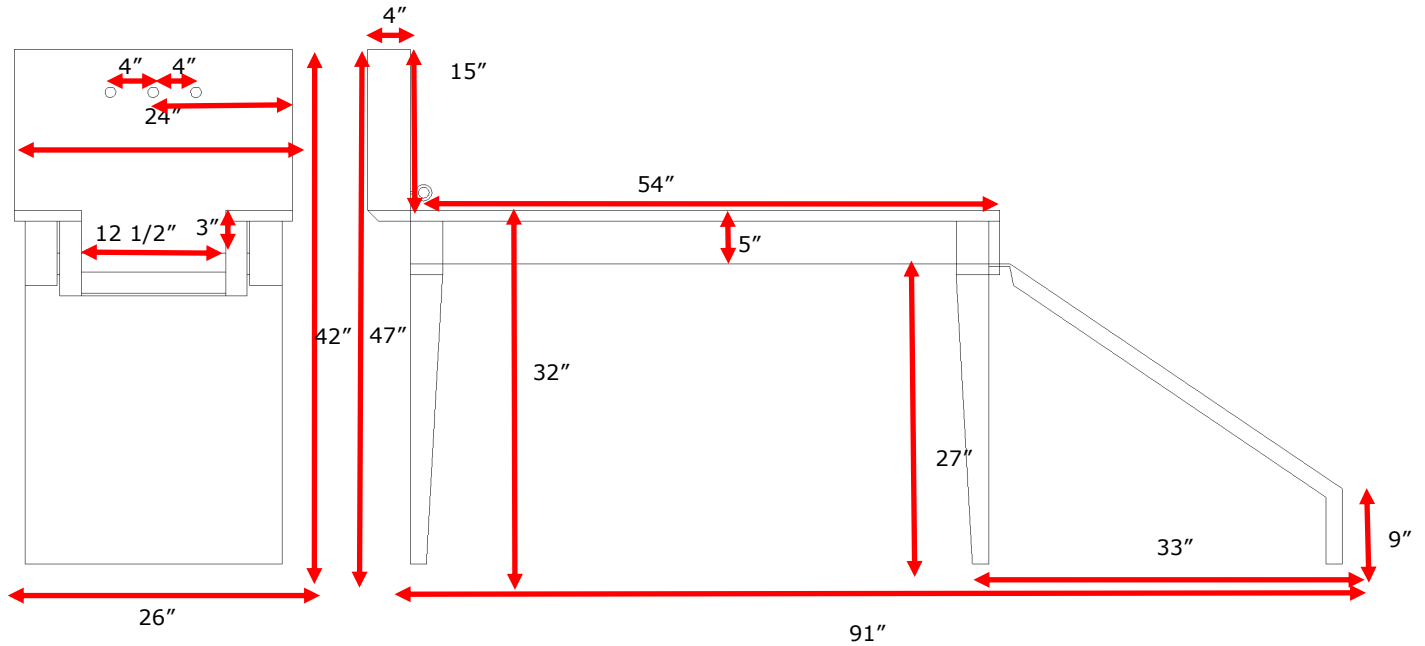
Groomers Best Inc 616 S Sioux Blvd, Brandon SD 57005

605-582-3013

customerservice@groomersbest.com



58" ADA In-Line Bathing Tub



Available as Left, Right or center drain. 3.5" drain hole, located 7" on center from the back wall.

Faucet Holes are pre-punched as a 1" hole 3 holes 4" on center as pictured

Groomers Best Inc 616 S Sioux Blvd, Brandon SD 57005

605-582-3013

customerservice@groomersbest.com